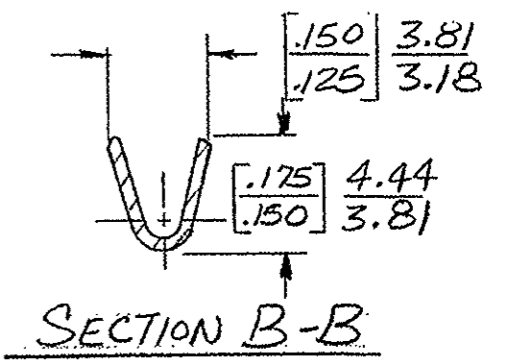
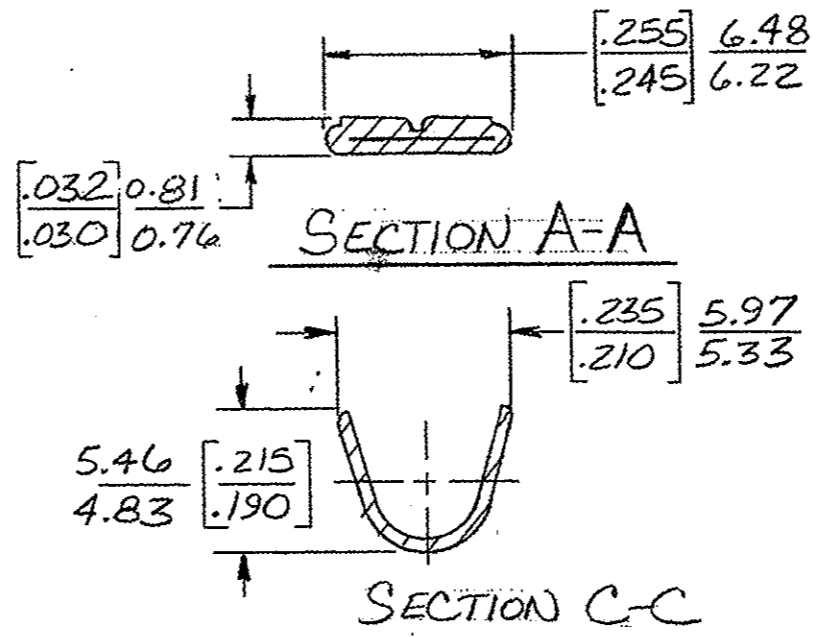
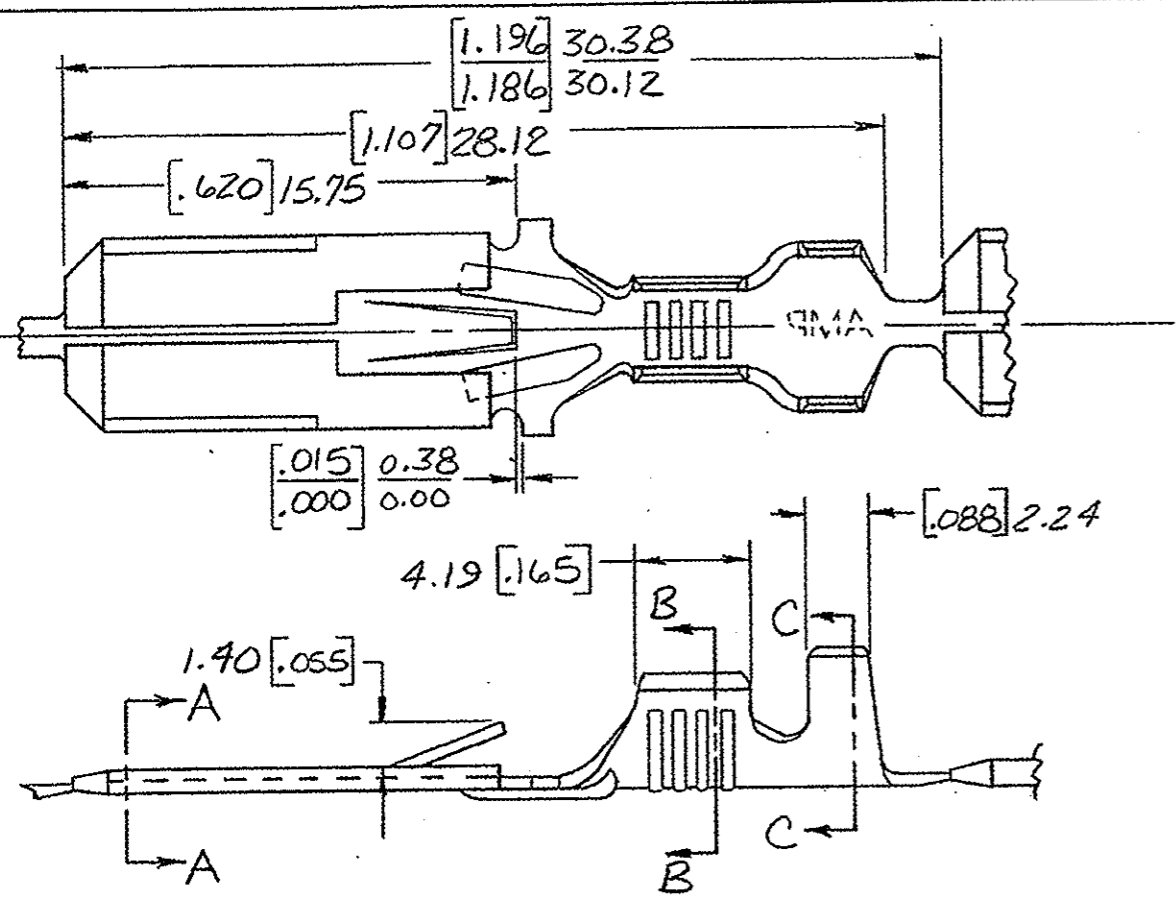


THIS DRAWING IS UNPUBLISHED. RELEASED FOR PUBLICATION
 © COPYRIGHT ALL RIGHTS RESERVED.

REVISIONS					DATE	APPROVED
P	F	ZONE	LTR	DESCRIPTION		
		DG2		REVISED PER ECO-11-005140	01APR11	HMR



FINISH	MATERIAL	INSULATION RANGE	WIRE SIZE	PART NO
OBsolete 3 4 TIN	[.0150] 0.38 BRASS	[.120-.160] 3.05-4.06	18-14 0.8-2mm ²	42098-8
5 5 OBsolete TIN	[.0150] 0.38 PHOS. BRZ.	[.120-.160] 3.05-4.06	18-14 0.8-2mm ²	42098-7
5 5 OBsolete PRE-TIN	[.0150] 0.38 BRASS	[.120-.160] 3.05-4.06	18-14 0.8-2mm ²	42098-6
5 5 OBsolete NONE	[.0150] 0.38 PHOS. BRZ.	[.120-.160] 3.05-4.06	18-14 0.8-2mm ²	42098-5
5 5 OBsolete NICKEL	[.015] 0.38 PHOS. BRZ.	[.120-.160] 3.05-4.06	18-14 0.8-2mm ²	42098-4
5 5 SILVER	[.0150] 0.38 BRASS	[.120-.160] 3.05-4.06	18-14 0.8-2mm ²	42098-3
5 5 PRE-TIN	[.0150] 0.38 BRASS	[.120-.160] 3.05-4.06	18-14 0.8-2mm ²	42098-2
5 5 NONE	[.0150] 0.38 BRASS	[.120-.160] 3.05-4.06	18-14 0.8-2mm ²	42098-1

- 1 - DIM'S. IN BRACKETS ARE IN INCHES.
- 2 - CONTINUOUS STRIP ON REELS.
- ~~3~~ - FOREIGN PRODUCTION ONLY
- ~~4~~ - PAPER INTERLAY BETWEEN LAYERS
- ~~5~~ - OBSOLETE PARTS: OBSOLETE CIS STREAMLINING PER D.RENAUD/D.SINISI

METRIC

UNLESS OTHERWISE SPECIFIED DIMENSIONS ARE IN INCHES. TOLERANCES ON: DECIMALS [±.015] 0.38 ANGLES	CONTRACT NO	TE Connectivity 250 SERIES FASTIN-FASTON TAB
	DR <i>NR Rector</i> 2-25-83	
MATERIAL <i>H</i>	CHK <i>G. Yetter</i> 3-1-83	NAME
	APPR <i>J. Liberman</i> 4/22/83	SIZE B
FINISH <i>H</i>	APPR <i>J. Liberman</i> 4/22/83	FSCM NO 00779
	DSGN APPD	DRAWING NO 42098
OTHER APPD	SCALE <i>H</i>	SHEET

CUSTOMER DRAWING